



INSTALLATION AND OPERATING INSTRUCTIONS

Mondex stone radiators

Contents

1 General safety instructions	2	5 Circuit diagrams	6
2 Features of Mondex radiators	3	Heater, circuit diagram	6
3 Radiator installation and operating instructions	3	Heater with electric plug, circuit diagram	6
Thermostat components	3	6 Warranty and maintenance	7
Start-up and installation	3	Warranty	7
Installation options	4	Maintenance and spare parts	7
Power required for residential heating	4	Natural stone as material	7
Installation dimensions	4	Cleaning	7
4 Technical specifications	5		
Radiator power, dimensions and weight	5		

1. General safety information



To ensure safe heating, please read these safety instructions first!

Electrical connections may only be made by an electrician with valid installation authorization according to the current regulations.

The Mondex stone radiator can be used in detached houses, terraced houses and apartments, as well as in summer cabins.

Retain the installation and operating instructions for further reference.

Always make sure that the fire protection distances are sufficient!

Failure to observe the connection instructions may result in a risk of fire!

To ensure unobstructed ventilation, do not cover the air vents of the stone radiator!

Due to the risk of fire, do not use the stone radiator to dry clothes or laundry.

Covering the air vents may cause a risk of fire.

This device is not intended for use by children or persons whose physical, sensory or mental abilities, or lack of experience and knowledge prevent them from using the device safely, without the supervision of a person responsible for their safety or before they have been instructed in how to use the device.

Children should be supervised to ensure that they do not play with the device.

This device complies with the requirements of:



Mondex pursues an active policy of product development and continuous improvement. For this reason, Mondex reserves the right to make changes relating to the design and technical specifications of their products without prior notice.

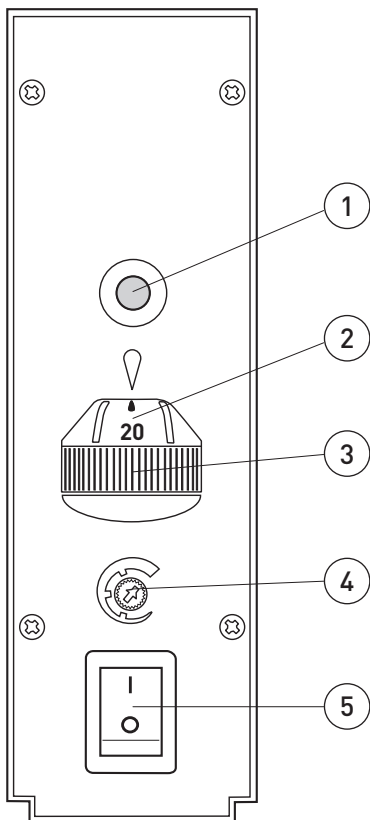
2. Features of Mondex radiators

Using the Mondex stone radiator is easy.

The Mondex stone radiator has an electronic thermostat that automatically adjusts the room temperature with an accuracy of 0.1 °C. The radiator is silent in operation.

The thermostat is equipped with stepless temperature adjustment between 5 °C and 30 °C and steplessly adjustable temperature drop between 2 °C and 10 °C.

3. Radiator installation and operating instructions



Thermostat components

- (1) Indicator light
- (2) Temperature scale ring
- (3) Temperature adjustment knob
- (4) Temperature drop
- (5) Power switch

Start-up and installation

Install the wall mount of the radiator on the wall with the supplied screws in accordance with the instructions provided. The radiator can be turned on once it has been connected in accordance with the instructions.

Press the power switch (5) to the "I" position and turn the temperature adjustment knob (3) to the desired room temperature. Place the temperature indicator on the opposite wall at a height of approximately 1.7 m. Allow the room temperature to stabilise and then check the temperature indicator reading. The Mondex radiator is ready for use if the temperature indicator reading is the same as the temperature set in the temperature scale ring (2).

If the temperature indicator reading differs from the reading of the temperature scale ring (2), the thermostat should be calibrated in accordance with the following instructions:

1. Hold the temperature adjustment knob (3) in place to keep it from moving.
2. Then rotate the temperature scale ring (2) to the value from the temperature indicator. Ensure that the adjustment knob (3) does not move while you do this.
3. Once you have calibrated the thermostat in the aforementioned manner, the thermostat of the Mondex radiator can be set to the desired room temperature by rotating the temperature adjustment knob (3).

Installation options for all models 230 V/50 Hz

- 1) Electronic thermostat 6–30 °C, temperature drop 2–10 °C, wall mount, switch box for permanent installation.
- 2) Also available equipped with a 1.5 m cord and a plug, an electronic thermostat also included.
- 3) Feet are available separately.

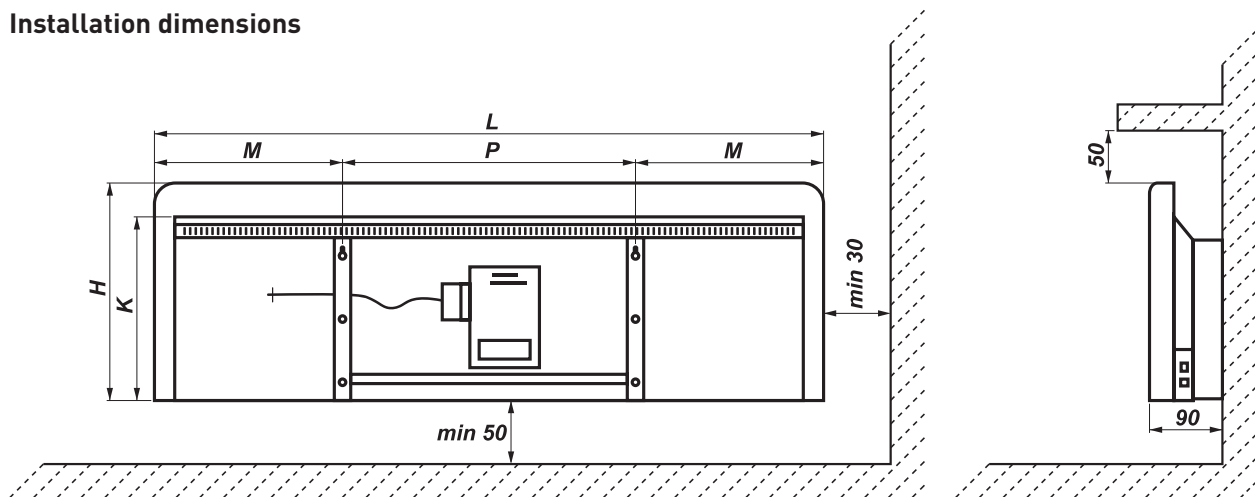
Here's how to calculate the power (W) required for heating your home!

Heating a well-insulated home takes approximately 25 W per m³. However, if the walls are made of non-insulated logs, 40–50 W per m³ is required. You should calculate the power so that it is slightly higher than the recommendation, rather than lower.

Room size, m ³	Room height, m	Cubic volume, m ³	Power required, W
10	2.60	26.0	650
16	2.60	41.6	1040
20	2.60	52.0	1300
24	2.60	62.4	1560
28	2.60	72.8	1820

Table 3.1

Installation dimensions



Type	L, mm	H, mm	P, mm	M, mm	K, mm
300 W	600	300	260	170	230
600 W	800	300	350	225	230
800 W	1000	300	440	280	230
1000 W	1200	300	520	340	230
1200 W	1200	300	520	340	230

Table 3.2

NOTE! Do not place the radiator directly below a wall socket!

4. Technical specifications

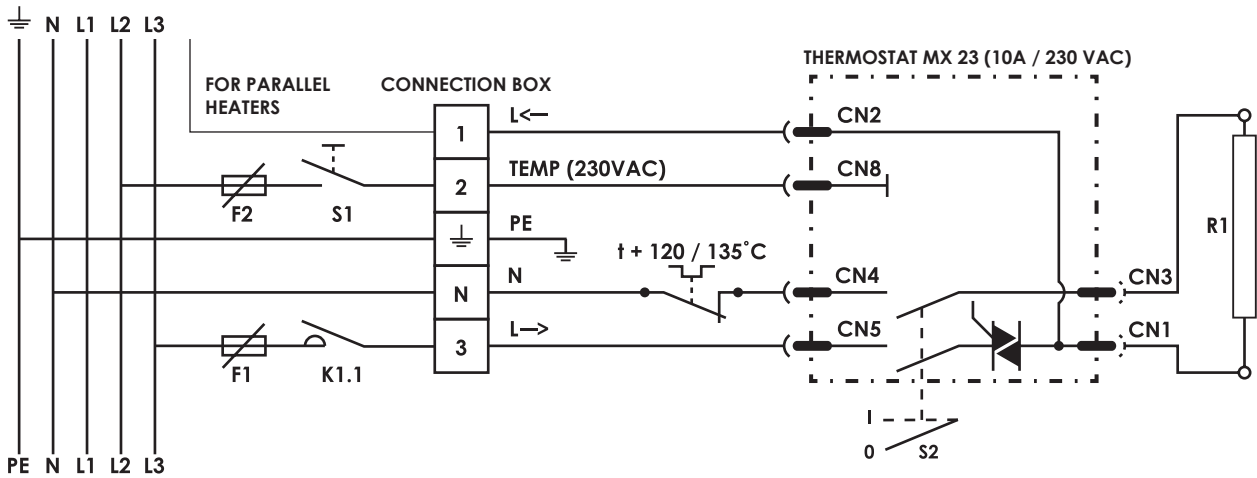
Type	Power	Height, mm	Length, mm	Weight, kg
300 W	300	300	600	23
600 W	600	300	800	32
800 W	800	300	1000	38
1000 W	1000	300	1200	47
1200 W	1200	300	1200	47

Table 4.1

Marble and granite: the dimensions and power are the same as those of soapstone heaters. Weight varies slightly depending on the type of stone.

5. Circuit diagrams

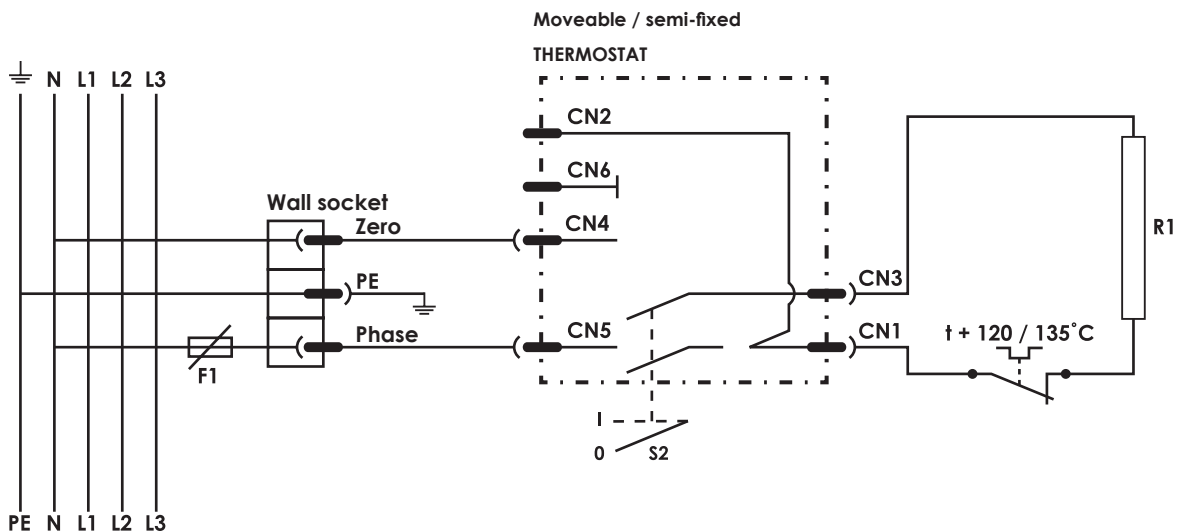
A. Radiator circuit diagram



LINK BOX

1	Parallel heater	S1	Switch, temperature drop
2	Temperature drop 220/230 VAC	K1.1	Contactant switch, heating
PE	Protective earth	F3	Thermal relay, +120 °C/+135 °C, self-opening/closing
N	Zero	S2	Thermostat switch, I = On / O = Off
3	Phase 220/230 VAC, 50-60 Hz	R1	Heating element, 230 VAC/300-1200 W
F1	Fuse, heating		
F2	Fuse, temperature drop		

B. Heater with electric plug, circuit diagram



LINK BOX

F1	Group fusing, min. 10 A/230 VAC	S1	Thermostat switch, I = On / O = Off
R1	Heating element, 230 VAC/300-1200 W	F2	Thermal relay, +120 °C/+135 °C

Moveable/semi-fixed Mondex stone radiators are not equipped with a temperature drop option!

6. Warranty and maintenance

Warranty

The warranty period for Mondex radiators is two (2) years. The warranty does not cover external or internal mechanical damage caused by, for example, the impacts of stones or the heater falling over. The warranty also does not cover defects caused by acts of nature, such as lightning, or damage caused by overvoltage.

Maintenance and spare parts

In case of a fault that cannot be solved, please contact the store where you purchased the heater or email info@mondex.fi. Spare parts can be purchased from Mondex distributors and the manufacturer. When purchasing spare parts, please provide the power rating, serial number and manufacturing date of the heater to ensure you receive the correct spare parts.

Natural stone as a material

The colour tone and patterns of the stone material in the heater may vary. As this is not a defect but a natural feature of the organic material, the manufacturer is not responsible for any impediment resulting from it.

Cleaning

The stone surface of the Mondex radiator is made of untreated, wet-sanded, natural stone. It can be wiped clean with a damp cloth. More persistent stains and dirt can be removed with an all-purpose cleaner.

NOTE! Do not use abrasive cleaning agents!

To clean the rear cover, the radiator can be tilted forward by opening the two latches on the wall mount. After cleaning the radiator, push it back to its original position and the latches will engage automatically to lock the radiator in place.

