



MONDEX



INSTALLATION AND OPERATING INSTRUCTIONS

Mondex stone radiators

Contents

1 General safety instructions	2	5 Bluetooth remote control of radiators	5
2 Features of Mondex radiators	3	What can be done with the application	5
3 Installation and operating instructions for the radiators	3	6 Electrical connection and wiring diagram	6
Thermostat components	3	Electrical connection of fixed radiators	6
Installation and commissioning	3	Electrical connection of radiators with	
Installation alternatives	4	mains plugs	6
Power required for heating the home	4	7 Warranty and maintenance	7
Installation dimensions	4	Warranty	7
4 Technical specifications	5	Maintenance and spare parts	7
Power ratings, dimensions and weights of		Natural stone as a material	7
the radiators	5	Cleaning	7

1. General safety information



To ensure safe heating, please read these safety instructions first!

Electrical connections may only be made by an electrician with a valid installation authorisation according to the current regulations.

Mondex stone heaters are suitable for use in detached houses, terraced houses, high-rise buildings and holiday cottages.

Retain the installation and operating instructions for further reference.

Always check the adequacy of fire protection distances!

Failure to observe the connection instructions may cause a fire hazard!

To ensure that air can freely circulate, do not cover the air circulation openings!

Do not use the stone heater for drying clothes or laundry due to the risk of fire.

Blocking the air circulation openings may cause a fire hazard.

This device is not intended for use by children or persons whose physical, sensory or mental abilities or lack of experience and knowledge prevent them from using the device safely, without the supervision of a person responsible for their safety or before they have been instructed on how to use the device.

Children should be supervised to ensure that they do not play with the device.

This device complies with the requirements of: **CE**

Mondex pursues an active policy of product development and continuous improvement. For this reason, Mondex reserves the right to make changes relating to the design and technical specifications of their products without prior notice.

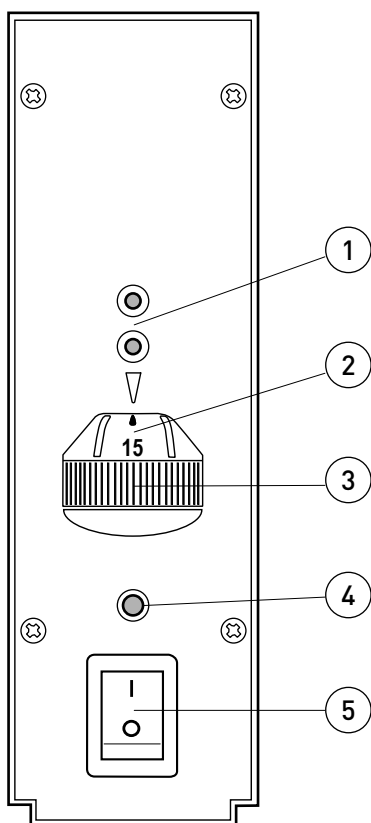
2. Features of Mondex radiators

Mondex stone heaters are easy to use.

Mondex stone heaters have electronic thermostats that automatically control the room temperature with an accuracy of 0.1 °C and operate noiselessly.

The thermostat allows the stepless adjustment of temperature in the range 5–30 °C.

3. Installation and operating instructions for the radiators



Thermostat components

- (1) Indicators
- (2) Temperature scale ring
- (3) Temperature setting ring
- (4) Pairing/resetting of factory values
- (5) Mains switch

INDICATORS

- red → heating ON
- green → heating OFF
- blue → change of temperature
- flashing blue → pairing of the radiator and mobile device in progress
- rapidly flashing blue → factory settings are being restored
- alternating blue and red flashing light → sensor fault

Installation and commissioning

The wall bracket of the heater is installed on the wall using the screws supplied and following the instructions provided. When the heater has been connected according to the instructions, you can start using it.

Push the mains switch (5) to position 1 and select the desired room temperature by turning the temperature setting ring (3). Install the precision thermostat on the opposite wall at an approximate height of 1.7 m. Let the temperature stabilise for a sufficiently long period and then read the thermometer. The Mondex heater is ready for use if the thermometer reading is the same as the reading set on the temperature scale ring (2).

If the precise temperature differs from the reading on the scale (2), a calibration should be carried out according to the instructions shown below:

1. Hold the temperature setting ring (3) in place so that it cannot turn.
2. Then rotate the temperature scale ring (2) to the value shown on the precision thermometer. Make sure that the setting ring (3) does not turn with the scale ring.
3. When the thermostat has been adjusted as described above, the thermostat of the Mondex heater can be set to the desired room temperature by rotating the temperature setting ring (3).

Installation alternatives for all 230 V/50 Hz models

- 1) Electronic thermostat 6–30 °C, wall bracket, connection box for fixed installation.
- 2) Also available with a 1.5-m mains cable and plug, including an electronic thermostat.
- 3) A pair of legs is also available as an additional accessory.

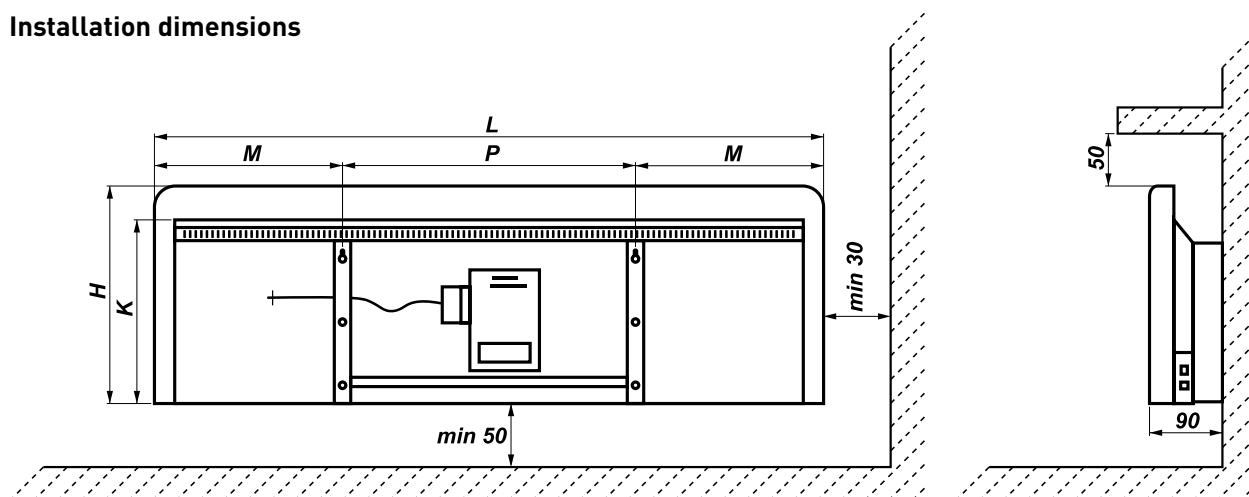
This is how you can calculate the wattage required for heating your dwelling!

A well-insulated house needs about 25 W/m³ for heating. If uninsulated timber is used as the wall material, you should allow 40–50 W/m³. It is preferable to specify the wattage slightly over the recommendation rather than below it.

Size of room m ²	Room height m	Cubic metres m ³	Required power W
10	2.60	26.0	650
16	2.60	41.6	1040
20	2.60	52.0	1300
24	2.60	62.4	1560
28	2.60	72.8	1820

Table 3.1

Installation dimensions



Type	L / mm	H / mm	P / mm	M / mm	K / mm
300 W	600	300	260	170	230
600 W	800	300	350	225	230
800 W	1000	300	440	280	230
1,000 W	1200	300	520	340	230
1,200 W	1200	300	520	340	230

Table 3.2

NOTE! The heater must never be installed immediately below the mains socket!

4. Technical specifications

Type	Power	Height / mm	Length / mm	Weight / kg
300 W	300	300	600	23
600 W	600	300	800	32
800 W	800	300	1000	38
1,000 W	1000	300	1200	47
1,200 W	1200	300	1200	47

Table 4.1

**Marble and granite: size and power ratings as for soapstone heaters.
The weights vary slightly with the type of stone.**

5. Bluetooth remote control of radiators

Mondex soapstone radiators are fitted with Ensto's smart thermostats, and they can be controlled easily with a mobile device.

- Start by downloading the Ensto heat control application to your mobile device and then establish a Bluetooth connection between the radiator and the device by following the instructions provided by the application
- Press button 4 (see page 3) for one second to set the radiator to pairing mode. The blue indicator light will start flashing
- Keep your mobile device within 5m of the radiator and select your radiator from the app's devices within 45 seconds

What can be done with the application:

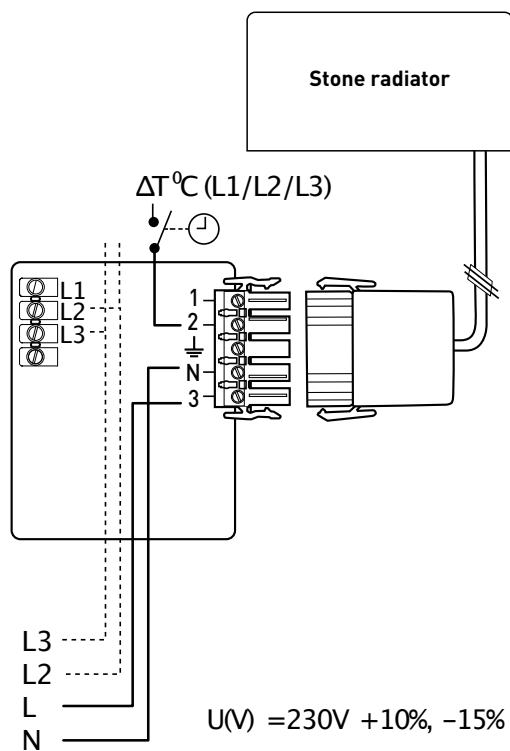
1. Temperature control
2. Calendar programs
 - Determine the preferred period for changed temperature and its starting and ending times
3. Holiday period
 - A longer period of changed temperature
4. Boost
 - Temporary change in temperature
5. Timetable management
 - Six day-specific periods of changed temperature
6. Saves costs by monitoring the energy consumption
 - Weekly and annual energy consumption
 - Monitoring of temperatures during the week



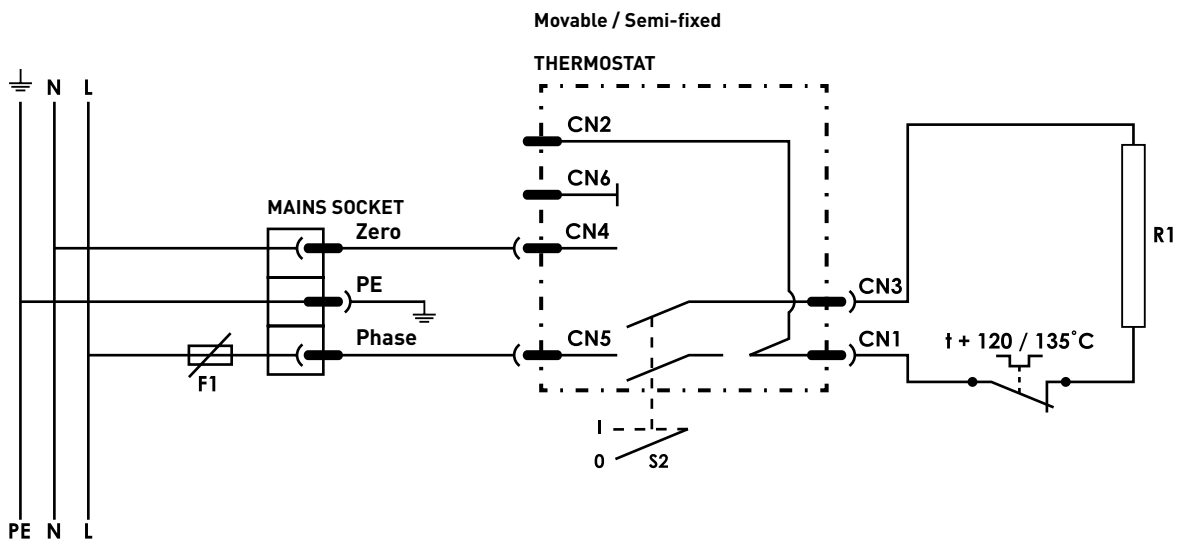
Start using the smart functions by downloading the Ensto Heat Control from App Google Play shop or App Store!

6. Electrical connection and wiring diagram

A. Electrical connection of a fixed heater



B. Wiring diagram of a plug-in heater



CONNECTION BOX

F1 Group fuse, min. 10 A / 230 VAC

R1 Heating element, 230 VAC / 300–1,200 W

S1 Thermostat switch, 1 = ON / 0 = OFF

F2 Thermal relay, +120 °C / +135 °C

7. Warranty and maintenance

Warranty

Mondex heaters have a two-year (2) warranty. The warranty does not cover external or internal mechanical damage caused by, for example, the impacts of stones or the heater falling over. The warranty also does not cover defects caused by acts of nature, such as lightning, or damage caused by overvoltage.

Maintenance and spare parts

In the event a fault cannot be solved, please contact the store where you purchased the heater or email info@mondex.fi. Spare parts can be purchased from Mondex distributors and the manufacturer. When purchasing spare parts, please refer to the name, power, serial number and manufacturing date of the heater to ensure you receive the correct parts.

Natural stone as material

There may be differences in the colours or ornamental patterns in the stone material used. As this is not a fault but a natural feature, the manufacturer is not responsible for any damage it may cause.

Cleaning

The stone surface of Mondex heaters is of wet-polished untreated natural stone. It can be wiped using a damp cloth. More persistent stains and dirt can be washed off using a general detergent.

NOTE! Avoid abrasive detergents!

To clean the back cover, the heater can be tilted forwards by opening the two latches in the wall bracket. After cleaning, push the heater back to its normal position, and the latches will automatically lock it in place.

For notes.



Premec Oy
Kettukallionkatu 4
84100 Ylivieska,
Finland
info@mondex.fi
www.mondex.fi



Technical support: info@mondex.fi